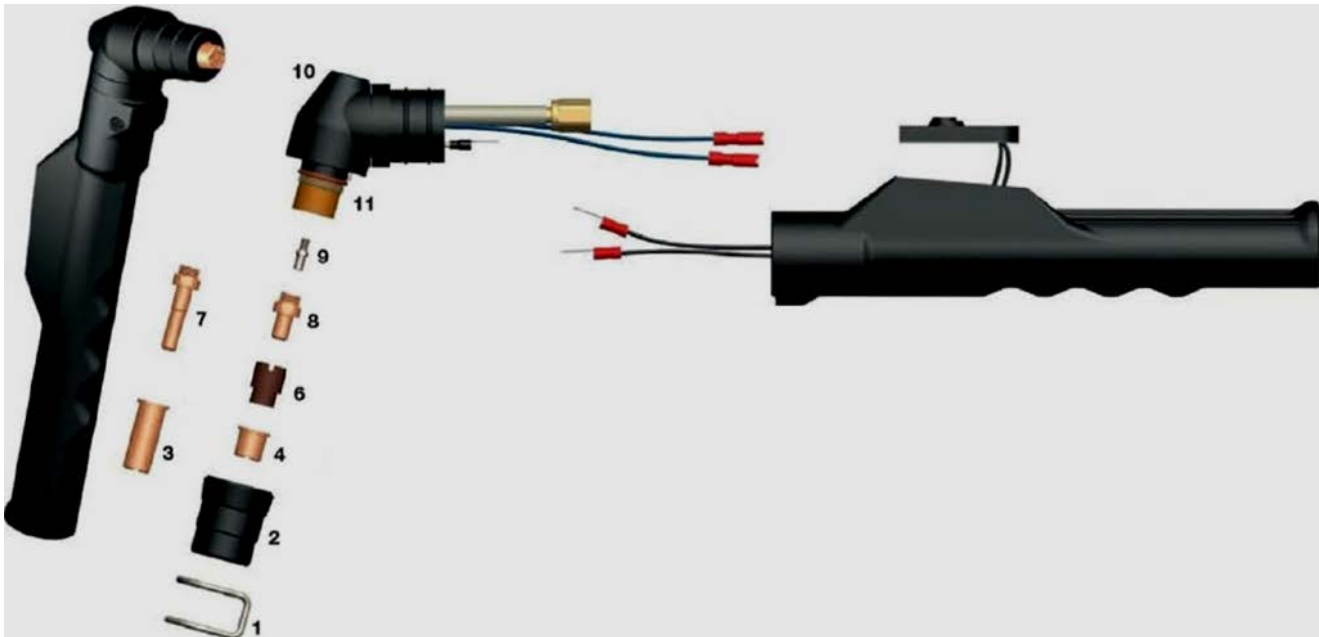


Cebora Prof 70

SYSTEM: P 36 P52 P70 (35 PC/HF)

T.Bentsen AS



	Art	Description
1	1394	Spacer spring
2	5.710.171	Nozzle retaining cap
3	1366	Exstended Tip 35Amp.
4	1308	Tip 70Amp.
5	1356	Handle W/Switch
6	60001	Swirl ring
7	1368	Exstended Electrode
8	1402	Electrode
9	3.065204	Diffusor
10	1351	Hand Torch head
11	3.160067	O-Ring